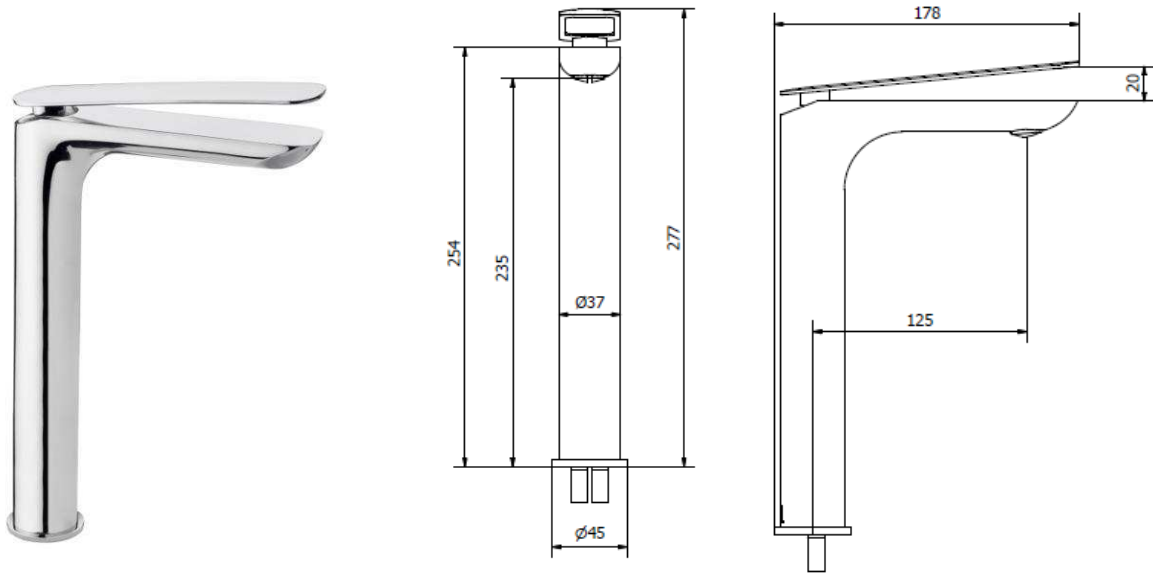




www.ibrubinetterie.it

KH-02
K2202

Range
Product



Product Description

Tall mono hole washbasin mixer with 1-1/4" click-clack automatic pop-up waste, base integrated within the body as single-casted and metal lever.

Available Finishings

Chrome	<input checked="" type="checkbox"/>	Glossy Black	<input type="checkbox"/>	PVD Gold	<input type="checkbox"/>	Copper	<input type="checkbox"/>
Brushed Nickel	<input checked="" type="checkbox"/>	Matt White	<input type="checkbox"/>	Gold	<input type="checkbox"/>	Bronze	<input type="checkbox"/>
Glossy White	<input type="checkbox"/>	Matt Black	<input type="checkbox"/>	Rose Gold	<input checked="" type="checkbox"/>	YO - Your Own	<input checked="" type="checkbox"/>

Tech Specifications

	IB Standard	Possible Alternative														
Cartridge	iB 25 mms Ceramic Discs Cartridge	Flow Restrictions – See below														
Wall Hoses	Flexible Inox 3/8", 450 mms long	Flexible Inox 1/2", 450 mms long Copper Tails PEX Pipes Different lengths available on request														
Aerator	M 24X1															
Flow Rate (+/- 10%)	<table border="1"> <tr> <td>1 BAR</td> <td>3.5 l/m</td> </tr> <tr> <td>2 BAR</td> <td>4.8 l/m</td> </tr> <tr> <td>3 BAR</td> <td>5.2 l/m</td> </tr> </table>	1 BAR	3.5 l/m	2 BAR	4.8 l/m	3 BAR	5.2 l/m	<table border="1"> <tr> <td rowspan="6">Changing aerator or adding flow restrictors in the hoses, the following range of TOP flow rates can be achieved</td> <td>0,5 l/m</td> </tr> <tr> <td>1,0 l/m</td> </tr> <tr> <td>1,5 l/m</td> </tr> <tr> <td>2,0 l/m</td> </tr> <tr> <td>3,0 l/m</td> </tr> <tr> <td>4,0 l/m</td> </tr> <tr> <td>5,0 l/m</td> </tr> </table>	Changing aerator or adding flow restrictors in the hoses, the following range of TOP flow rates can be achieved	0,5 l/m	1,0 l/m	1,5 l/m	2,0 l/m	3,0 l/m	4,0 l/m	5,0 l/m
1 BAR	3.5 l/m															
2 BAR	4.8 l/m															
3 BAR	5.2 l/m															
Changing aerator or adding flow restrictors in the hoses, the following range of TOP flow rates can be achieved	0,5 l/m															
	1,0 l/m															
	1,5 l/m															
	2,0 l/m															
	3,0 l/m															
	4,0 l/m															
5,0 l/m																
Material	Brass According to CUZN35PB2AL-B(CB752S) Max Lead content: 1,6%															
Production	Main body is a single casted piece															



info@ibrubinetterie.it
p.iva 01785230986
capitale sociale € 420.000,00 i.v.
T +39 030 802101
F +39 030 803097
iB Rubinetterie SpA
via dei pianotti, 3/5 - 25068 sarezzo (bs) - Italy