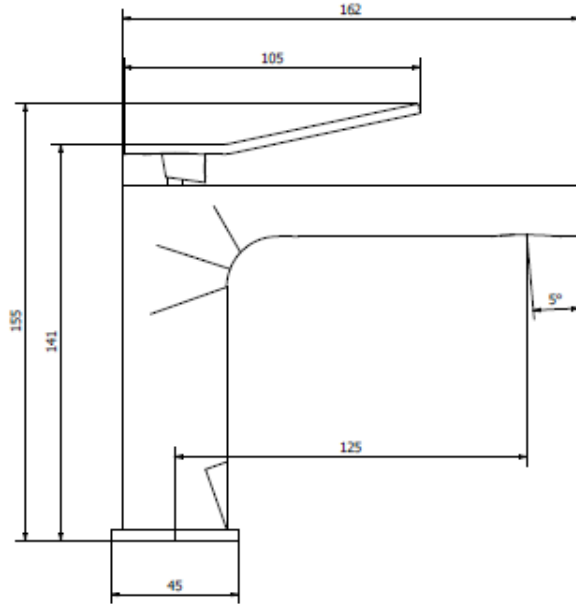




www.ibrubinetterie.it

WAVE
WA200

Range
Product



Product Description

Mono hole washbasin mixer with a 1-1/4" click-clack automatic pop-up waste, a zamak lever and the base integrated within the body as single-casted.

Available Finishings

Chrome	<input checked="" type="checkbox"/>	Glossy Black	<input checked="" type="checkbox"/>	PVD Gold	<input type="checkbox"/>	Copper	<input type="checkbox"/>
Brushed Nickel	<input checked="" type="checkbox"/>	Matt White	<input type="checkbox"/>	Gold	<input checked="" type="checkbox"/>	Bronze	<input type="checkbox"/>
Glossy White	<input checked="" type="checkbox"/>	Matt Black	<input type="checkbox"/>	Rose Gold	<input checked="" type="checkbox"/>	YO - Your Own	<input checked="" type="checkbox"/>

Tech Specifications

iB Standard	Possible Alternative
-------------	----------------------

Cartridge	iB 25 mms Ceramic Discs Cartridge	Flow Restrictions – See below
Wall Hoses	Flexible Inox 3/8", 450 mms long	Flexible Inox 1/2", 450 mms long Copper Tails PEX Pipes
		Different lengths available on request

Aerator M 24x1

Flow Rate (+/- 10%)

1 BAR	7 l/m
2 BAR	10 l/m
3 BAR	12.5 l/m

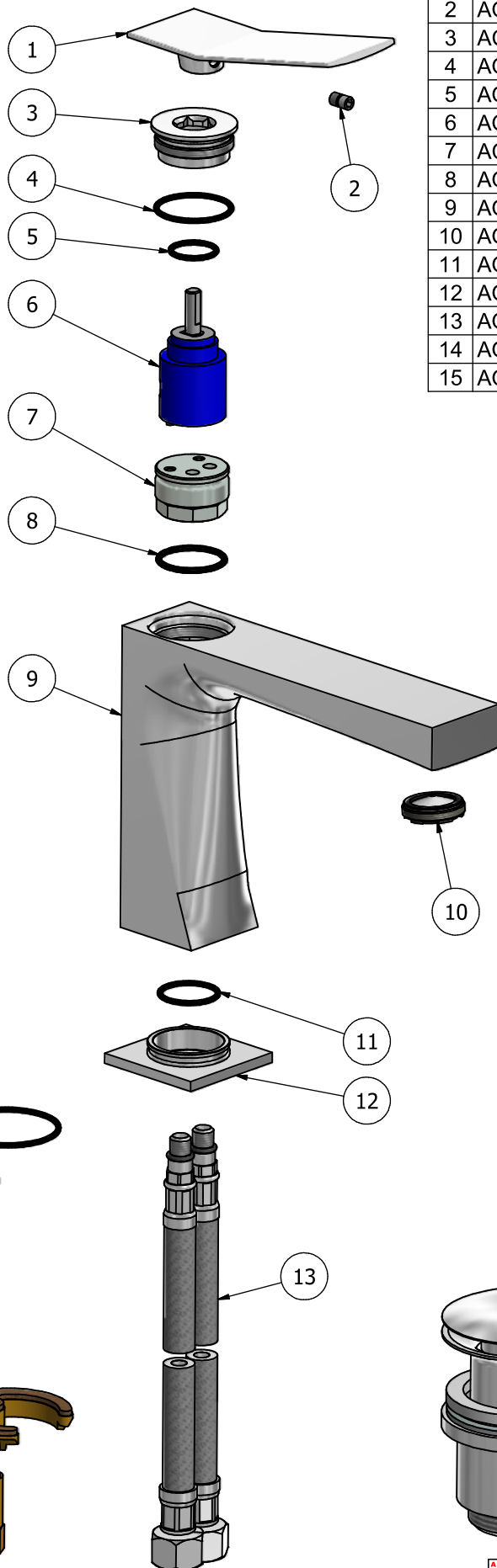
Changing aerator or adding flow restrictors in the hoses, the following range of TOP flow rates can be achieved	2,0 l/m
	4,0 l/m
	6,0 l/m
	8,0 l/m
	9,0 l/m
	10,0 l/m
	12,0 l/m

Material Brass
According to CUZN35PB2AL-B(CB752S)
Max Lead content: 1,6%

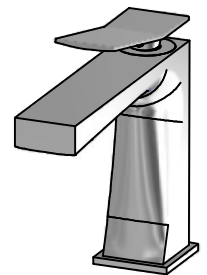
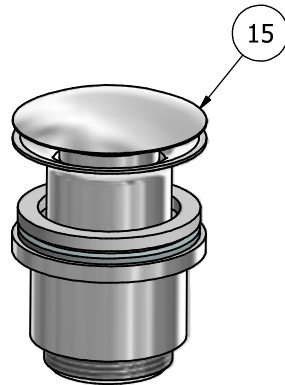
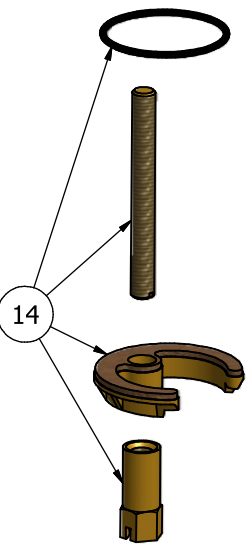
Production Main body is a single casted piece



p.iva 01785230986
 capitale sociale €420.000,00 i.v.
 info@ibrubinetterie.it
 T +39.030.802101
 F +39.030.803097
 iB Rubinetterie SpA
 via dei pianotti, 3/5 - 25068 sarezzo (bs) - Italy



Elenco parti			
EL	CODICE	NUMERO DI MAGAZZINO	QT
1	AQ0013547	Zamak handle 37x105x3.5	1
2	AQ0013747	Inox screw M5x5 Ø5	1
3	AC0010893	Cartridge fixing nut Ø32,8 H.13,5	1
4	AQ0010564	OR 26.7x1.78 NBR 70 SH	1
5	AQ0004600	OR 15.6x1.78 NBR 70 SH	1
6	AQ0013479	Ceramic cartridge K25 OP I (P4)	1
7	AC0010810	Connection piece Ø27X18	1
8	AQ0010972	OR 23x2 NBR 70 SH	1
9	AQ0013772	Basin body 37x37x122x162	1
10	AQ0012140	Perlator NP slim M24x1	1
11	AQ0001400	OR 20.35x1.78 NBR 70 SH	1
12	AQ0013602	Basin base 45x45x8.5 zamack	1
13	AQ0011013	Inox hose G3/8" M8x1 L450	2
14	AQ0010505	Fixing set	1
15	AQ0009837	Simple rapid waste 1"1/4	1



A termini di legge questo disegno non può essere riprodotto senza la nostra autorizzazione

 www.ibrubinerie.it Via del Pianotti 3/5 25068 Sarezzo - BRESCIA tel. 030802101 fax. 030803097 www.ibrubinerie.it	Tolleranze generali		Peso	Scala	Formato	
	±0.1			1:2	ISO A3	
	Materiale					
	Disegnatore	Data creazione	Approvato da	Approvato il		
Vivenzi M.		02/05/2011				
Denominazione					Codice	
Esploso lavabo Wave					KWA200CCXN_1	

WARRANTY

all iB Rubinetterie SpA products are warranted for 10 years from the date of purchase, for the following cases:

- defects of casting, porosity and chrome plating
- operating defects caused by incorrect fabrication.

The warranty provides for the repair or replacement of products with fabrication defects recognized by our technical office.

There is no other type of compensation and the merchandise must be returned FOB our warehouse. The warranty only cover surface defects (scartches, dings, etc.) on fittings that have not been installed and used, returned in its original packaging with all components.

O-rings, gasket seals and components subject to wear proportional to use are warranted for 2 years.

The warranty is void in the following cases:

- error installing and putting the product into service.
- deterioration of chrome-plated surfaces due to use of cleaning products containing acids or abrasive substances
- deterioration of surface with finishes other than chrome plating. Their durability is, in fact, dependent on the user's care and gentleness of use.
- deterioration of the fitting due incorrect installation.
- improper repairs and maintenance performed without the company's prior authorization.

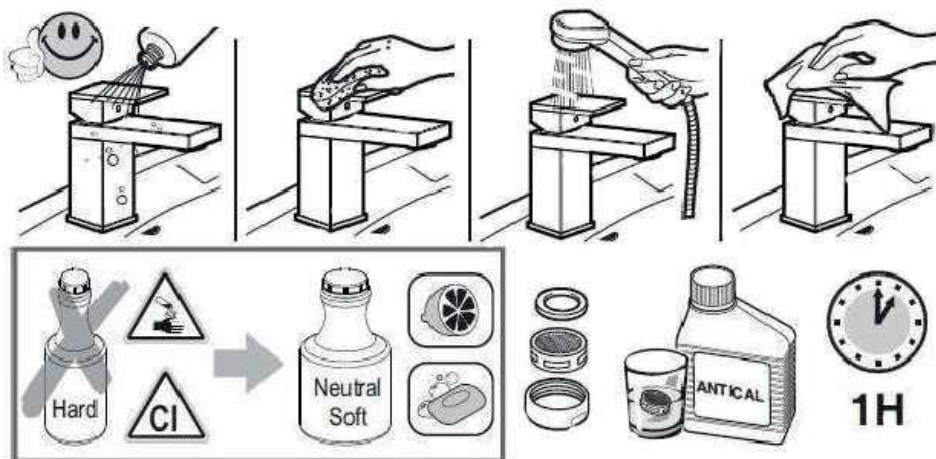
The warranty from iB Rubinetterie SpA is not renewable.

Cleaning:

We recommend cleaning chrome-plated and gold-finish surface with water and soap, using a soft cloth.

Do not use detergents that contain hydrochloric acid or abrasive substances.

Plastic parts must only be cleaned with soap and water and soft cloth.



IMPORTANT

Pressure & Temperature Requirements.

- * Hot and cold water inlet pressures should be equal.
- * Inlet pressure range: 150-1000 kPa
- * New Regulation: -500 kPa maximum operating pressure at any outlet within a building. (Ref. AS/NZS 3500.1-2003, Clause 3.3.4)
- * Maximum hot water temperature: 80°C.



iB Rubinetterie S.p.A.

Via dei Pianotti 3/5
25068 SAREZZO (BS) Italy
Iscr. Reg. Impr. BS 01785230986
R.E.A. BS 352087
P.IVA IT01785230986
Capitale Sociale € 420.000,00 i.v.
phone +39 030 802101
fax +39 030 803097
info@ibrubinetterie.it
www.ibrubinetterie.it

