



IB RUBINETTI

Collection

BOLD

Article

B2370

Description

Sink mixer complete of automatic pop-up

Box Dimensions

360 x 220 x 150 mm

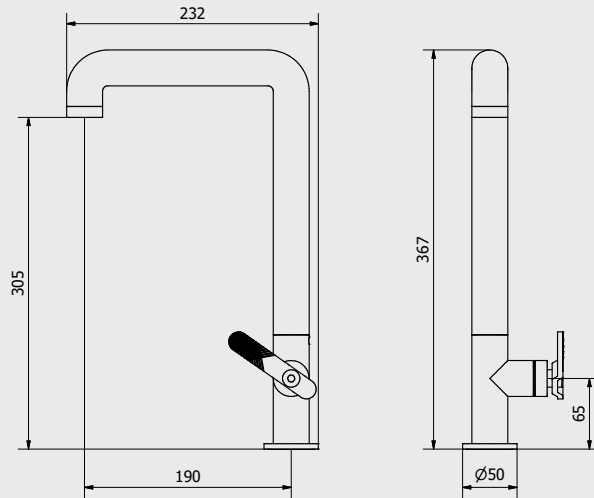
Weight

Finishes

- **CC** CHROME
- **CF** BLACK CHROME
- **BG** GLOSSY WHITE
- **NG** GLOSSY BLACK
- **SS** BRUSHED NICKEL
- **CS** BRUSHED BLACK CHROME
- **BO** MATT WHITE
- **NP** MATT BLACK
- **OO** GOLD
- **BB** ANTIQUE BRONZE
- **II** PALE GOLD
- **RR** ANTIQUE COPPER
- **RS** ROSE GOLD
- **ON** NATURAL BRASS
- **IS** BRUSHED PALE GOLD
- **HH** PVD CHOCOLATE



Dimensions



Cartridge

IB 25 mms Ceramics Discs Cartridge

Wall Hoses

Inox hoses G3\8" female 450 mms long

Aerator

M24X1 perlator coin slot

Flow Rate (+/-10%)

1 BAR	2 BAR	3 BAR
3.3 l\min	4.4 l\min	4.5 l\min

Production

Main body is a single hot stamped pieces

Material

BRASS
According to CuZn42 (CW510L)
Max Lead content:0.2%

IB RUBINETTERIE s.p.a
via dei Pianotti 3/5
25068 Sarezzo (BS) - Italy -

T. +39 030 802101
F. +39 030 803097
info@ibrubinetterie.it

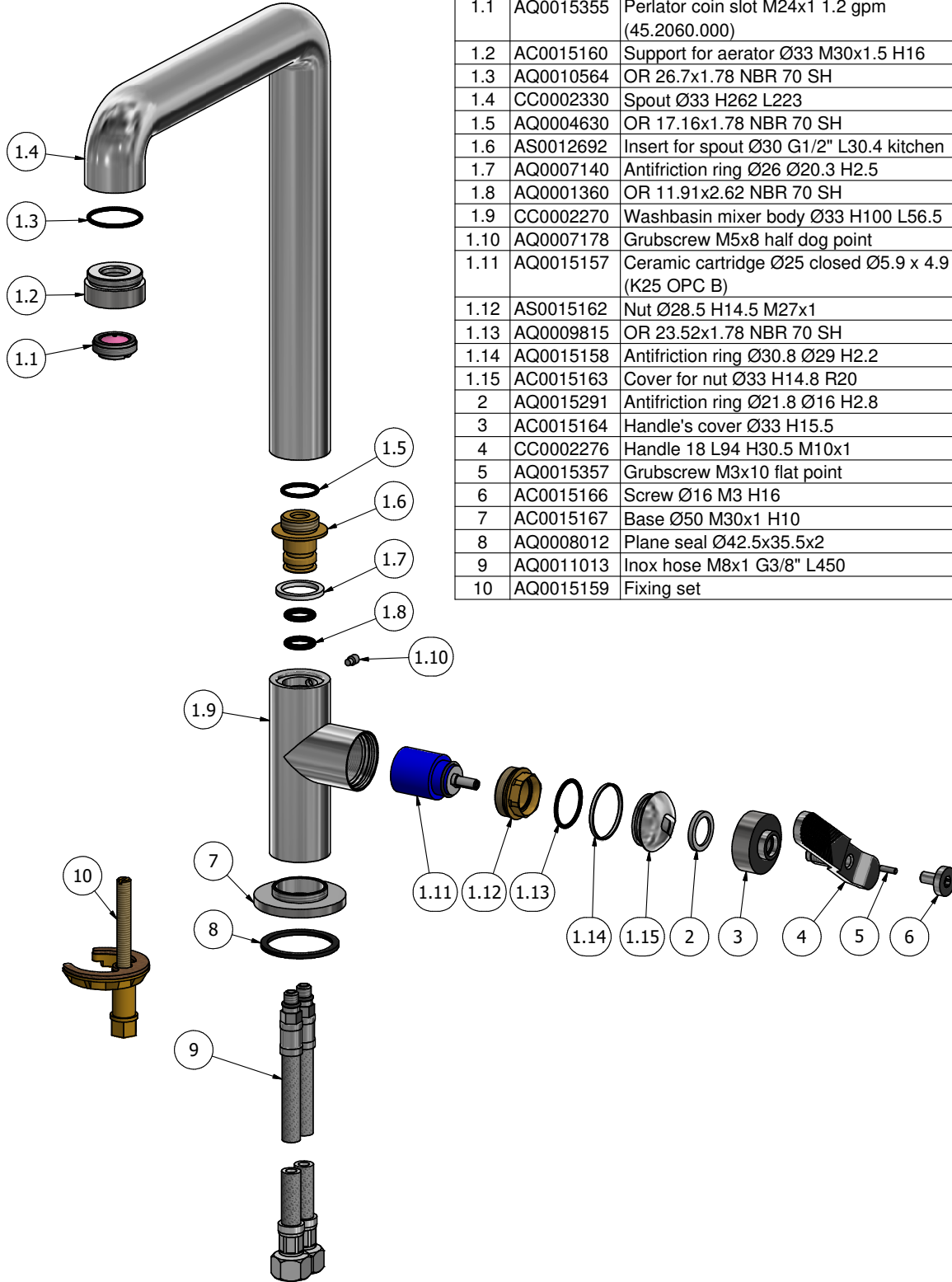
P.IVA 01785230986
capitale sociale
€420.000,00 i.v.

WWW.IBRUBINETTI.IT





IBRUBINETTI



Parts list			
ELEM	CODE	DESCRIPTION	QT
1	CPBD370C C-1	Kitchen preassembled	1
1.1	AQ0015355	Perlator coin slot M24x1 1.2 gpm (45.2060.000)	1
1.2	AC0015160	Support for aerator Ø33 M30x1.5 H16	1
1.3	AQ0010564	OR 26.7x1.78 NBR 70 SH	1
1.4	CC0002330	Spout Ø33 H262 L223	1
1.5	AQ0004630	OR 17.16x1.78 NBR 70 SH	1
1.6	AS0012692	Insert for spout Ø30 G1/2" L30.4 kitchen	1
1.7	AQ0007140	Antifriction ring Ø26 Ø20.3 H2.5	1
1.8	AQ0001360	OR 11.91x2.62 NBR 70 SH	2
1.9	CC0002270	Washbasin mixer body Ø33 H100 L56.5	1
1.10	AQ0007178	Grubscrew M5x8 half dog point	1
1.11	AQ0015157	Ceramic cartridge Ø25 closed Ø5.9 x 4.9 (K25 OPC B)	1
1.12	AS0015162	Nut Ø28.5 H14.5 M27x1	1
1.13	AQ0009815	OR 23.52x1.78 NBR 70 SH	1
1.14	AQ0015158	Antifriction ring Ø30.8 Ø29 H2.2	1
1.15	AC0015163	Cover for nut Ø33 H14.8 R20	1
2	AQ0015291	Antifriction ring Ø21.8 Ø16 H2.8	1
3	AC0015164	Handle's cover Ø33 H15.5	1
4	CC0002276	Handle 18 L94 H30.5 M10x1	1
5	AQ0015357	Grubscrew M3x10 flat point	1
6	AC0015166	Screw Ø16 M3 H16	1
7	AC0015167	Base Ø50 M30x1 H10	1
8	AQ0008012	Plane seal Ø42.5x35.5x2	1
9	AQ0011013	Inox hose M8x1 G3/8" L450	2
10	AQ0015159	Fixing set	1