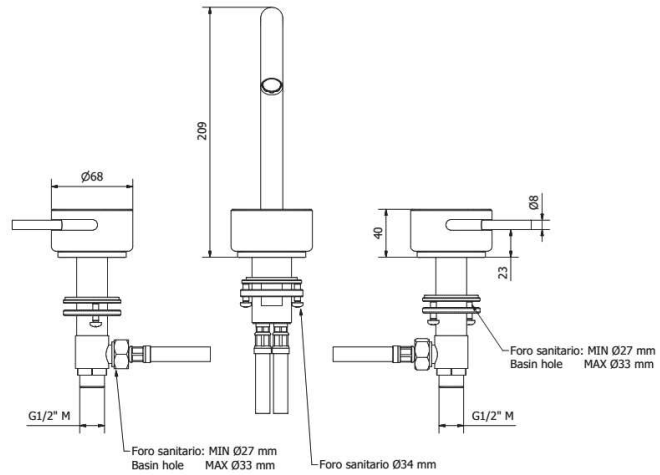




www.ibrubinetterie.it

MARMO  
MR392\_1

Range  
Product



Product Description

Three holes washbasin with short spout complete with 1-1/4" click-clack automatic pop-up waste and metal levers, all integrated on white marble bases.

Available Finishings

Chrome	<input checked="" type="checkbox"/>	Glossy Black	<input type="checkbox"/>	PVD Gold	<input type="checkbox"/>	Copper	<input type="checkbox"/>
Brushed Nickel	<input checked="" type="checkbox"/>	Matt White	<input checked="" type="checkbox"/>	Gold	<input checked="" type="checkbox"/>	Bronze	<input type="checkbox"/>
Glossy White	<input type="checkbox"/>	Matt Black	<input checked="" type="checkbox"/>	Rose Gold	<input checked="" type="checkbox"/>	YO - Your Own	<input checked="" type="checkbox"/>

Tech Specifications

iB Standard	Possible Alternative
-------------	----------------------

Headwork G 1/2" Ceramic Headwork

Aerator M 16,5X1

Sidebody valve W26x19

Flow Rate (+/- 10%)

1 BAR	4,7 l/m
2 BAR	5,0 l/m
3 BAR	5,0 l/m

Changing aerator, cartridge or adding flow restrictors in the hoses, the following TOP flow rates can be achieved	3,4 l/m
	3,7 l/m
	4,2 l/m
	4,5 l/m
	4,7 l/m
	5,0 l/m

Material Brass  
According to CUZN35PB2AL-B(CB752S)  
Max Lead content: 1,6%

Production Main body is a single casted piece



p.iva 01785230986  
 capitale sociale € 420.000,00 i.v.  
 T +39 030 802101  
 F +39 030 803097  
 IB Rubinetterie SpA  
 via dei pianotti, 3/5 - 25068 sarezzo (bs) - Italy  
 info@ibrubinetterie.it