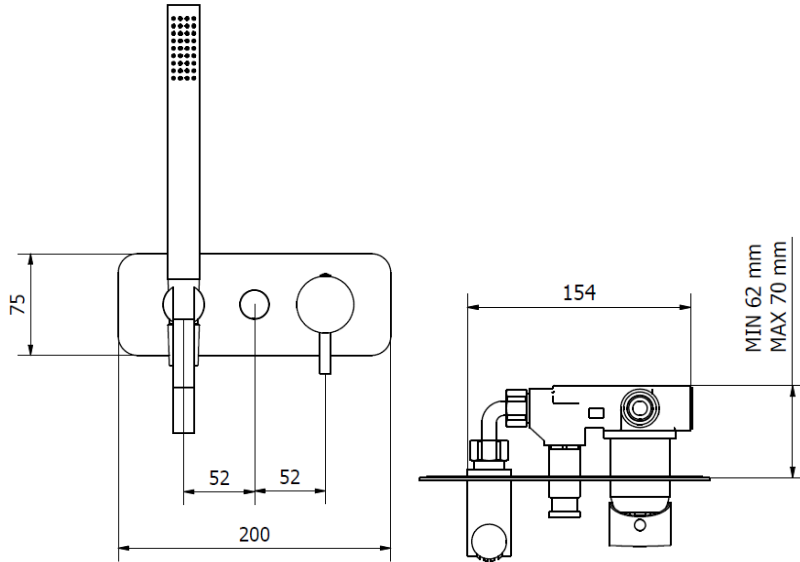




www.ibrubinetterie.it

MILANOTORINO  
MT313

Range  
Product



Product Description

Two ways shower mixer built into the wall, erected on a horizontal 200x75 mms plate and made of a metal lever, a diverter which allow to choose the water outlet by pushing the knob, and a round brass hand shower. It's made of two internal water inlets (cold and hot water) plus two ways outlet.

Available Finishes

Chrome	<input checked="" type="checkbox"/>	Glossy Black	<input checked="" type="checkbox"/>	PVD Gold	<input type="checkbox"/>	Copper	<input type="checkbox"/>
Brushed Nickel	<input checked="" type="checkbox"/>	Matt White	<input type="checkbox"/>	Gold	<input checked="" type="checkbox"/>	Bronze	<input type="checkbox"/>
Glossy White	<input checked="" type="checkbox"/>	Matt Black	<input type="checkbox"/>	Rose Gold	<input checked="" type="checkbox"/>	YO - Your Own	<input checked="" type="checkbox"/>

Tech Specifications

iB Standard	Possible Alternative
-------------	----------------------

Cartridge

iB 35 mms Ceramic Cartridge

Flow Restrictions – See below

Water Inlets

G 1/2" F

Main Water Outlet

G 3/4" F

Flow Rate  
(+/- 10%)

1 BAR	7,7 l/m
2 BAR	11 l/m
3 BAR	13,5 l/m

Changing aerator or adding flow restrictors in the hoses, the following range of TOP flow rates can be achieved	2,0 l/m
	4,0 l/m
	6,0 l/m
	8,0 l/m
	10,0 l/m
	13,0 l/m

Material

Brass  
According to CUZN35PB2AL-B(CB752S)  
Max Lead content: 1,6%

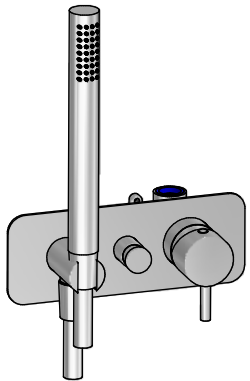
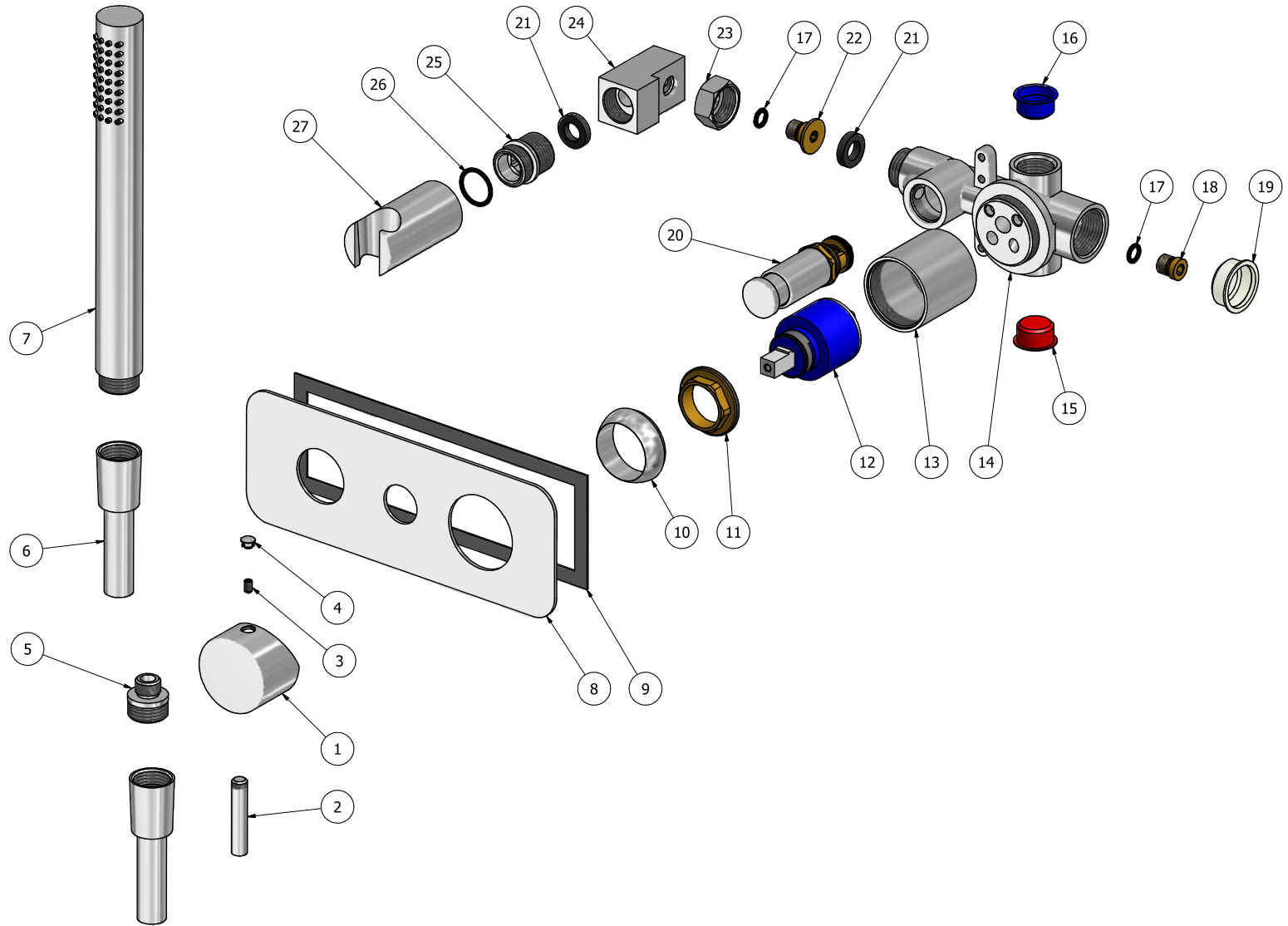
Production

Main body is a single casted piece



info@ibrubinetterie.it  
p.iva 01785230986  
capitale sociale €420.000,00 i.v.  
T +39 030 802101  
F +39 030 803097  
iB Rubinetterie SpA  
via dei pianotti, 3/5 - 25068 sarezzo (bs) - Italy

Elenco parti			
ELEM	CODICE	NUMERO DI MAGAZZINO	QT
1	AC0011351	Handle Ø42 H30	1
2	AC0009461	Rod Ø8 H42 M8	1
3	AQ0001081	Grub screw M4x6 flat point	1
4	AQ0006650	Plug cover Ø7	1
5	AQ0014235	Insert for handshower G1/2" H21	1
6	AQ0010066	Cromoux hose L150	1
7	AQ0013557	Onair hand shower	1
8	AQ0014136	Plate 200x75x2	1
9	AQ0014140	Rubber packing double-sided tape 190x65x8x1	1
10	AQ0003630	Cartridge ring nut cover M37x1.5	1
11	AQ0001040	Cartridge ring nut M37x1.5 H9	1
12	AQ0004095	Ceramic cartridge Ø35 9x9 (K35A)	1
13	AC0010445	Ring for recessed shower mixer	1
14	CC0002233	Recessed shower mixer body 2 way M37x1.5 horizz	1
15	AQ0014537	Red thread's protecting cap Ø19	1
16	AQ0014538	Blu thread's protecting cap Ø19	1
17	AQ0001330	OR 6.75x1.78 NBR 70 SH	2
18	AS0010770	Plug M10x1 H12	1
19	AQ0013460	Protecting cap thread Ø24.5	1
20	CP11815CC-1	Diverter	1
21	AQ0014583	Rubber packing G1/2" H4	2
22	AS0012364	Junction Ø18.5 M10x1 H14.5	1
23	AQ0014661	Nut G1/2" F H11	1
24	AC0012365	Support 25x25 H46 G1/2" M10x1	1
25	AC0012388	Nipple G1/2" G1/2" H26	1
26	AQ0004630	OR 17.16x1.78 NBR 70 SH	1
27	AQ0014201	Hand shower's support Ø30 L85	1



<small>Il termine di legge questo disegno non può essere riprodotto senza la nostra autorizzazione</small>				
Tolleranze generali ±0.1		Peso	Scala	Formato A2
Materiale				
Disegnatore <b>Viviani M.</b>	Data creazione <b>01/07/2014</b>	Approvato da	Approvato il	
Denominazione <b>Doccia incasso 2 vie con doccetta MT</b>				Codice <b>KMT31CCXN_1</b>
<small>www.brubettere.it Via dei Pianotti 3/5 25046 Sanoczo - BRESCIA tel. 030802101 fax. 030803097 www.brubettere.it</small>				