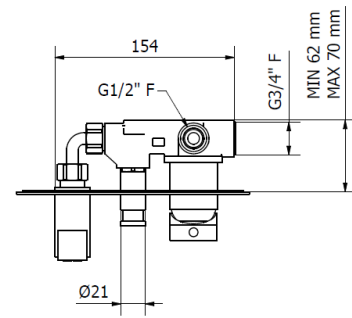
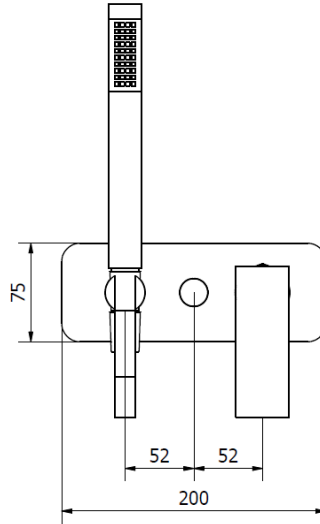




www.ibrubinetterie.it

RUBACUORI
RU313

Range
Product



Product Description

Two ways shower mixer built into the wall, erected on a horizontal 200x75 mms plate and made of a metal lever, a diverter which allow to choose the water outlet by pushing the knob, a square brass hand shower and an internal carter in order to protect the body during the installation and make the process easier as it shows the exact amount of mms to fix it correctly into the wall. It's made of two internal water inlets (cold and hot water) plus two ways outlet.

Available Finishings

Chrome	<input checked="" type="checkbox"/>	Glossy Black	<input checked="" type="checkbox"/>	PVD Gold	<input type="checkbox"/>	Copper	<input type="checkbox"/>
Brushed Nickel	<input checked="" type="checkbox"/>	Matt White	<input type="checkbox"/>	Gold	<input type="checkbox"/>	Bronze	<input type="checkbox"/>
Glossy White	<input checked="" type="checkbox"/>	Matt Black	<input type="checkbox"/>	Rose Gold	<input type="checkbox"/>	YO - Your Own	<input checked="" type="checkbox"/>

Tech Specifications

iB Standard	Possible Alternative
-------------	----------------------

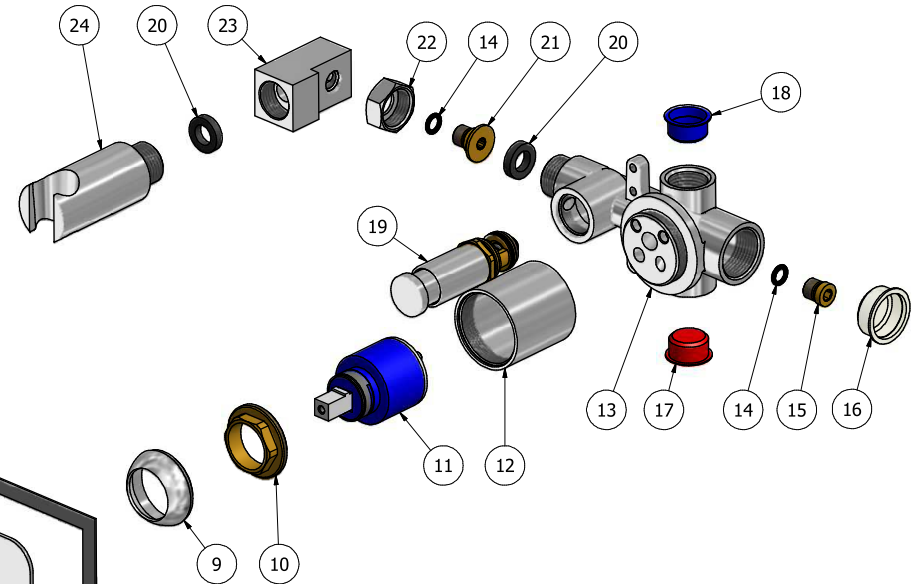
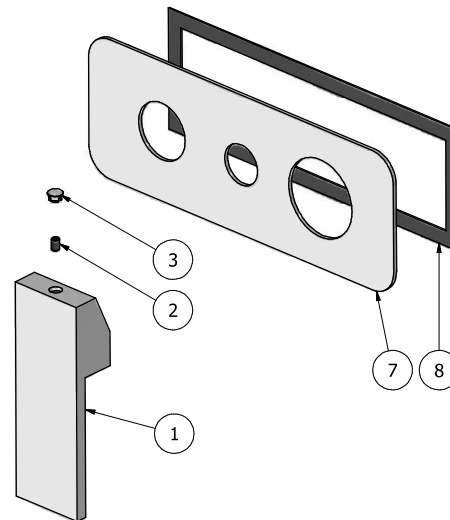
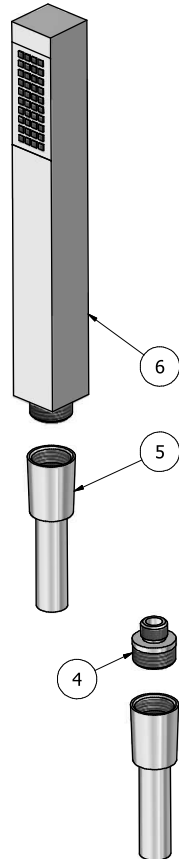
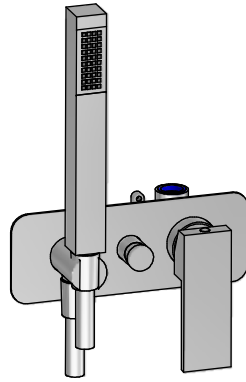
Cartridge	iB 35 mms Ceramic Cartridge	Flow Restrictions – See below														
Water Inlets	G 1/2" F															
Main Water Outlet	G 3/4" F															
Flow Rate (+/- 10%)	<table border="1"> <tr> <td>1 BAR</td> <td>7.7 l/m</td> </tr> <tr> <td>2 BAR</td> <td>11 l/m</td> </tr> <tr> <td>3 BAR</td> <td>13.5 l/m</td> </tr> </table>	1 BAR	7.7 l/m	2 BAR	11 l/m	3 BAR	13.5 l/m	<table border="1"> <tr> <td rowspan="6">Changing aerator or adding flow restrictors in the hoses, the following range of TOP flow rates can be achieved</td> <td>2,0 l/m</td> </tr> <tr> <td>4,0 l/m</td> </tr> <tr> <td>6,0 l/m</td> </tr> <tr> <td>8,0 l/m</td> </tr> <tr> <td>10,0 l/m</td> </tr> <tr> <td>12,0 l/m</td> </tr> <tr> <td>13,0 l/m</td> </tr> </table>	Changing aerator or adding flow restrictors in the hoses, the following range of TOP flow rates can be achieved	2,0 l/m	4,0 l/m	6,0 l/m	8,0 l/m	10,0 l/m	12,0 l/m	13,0 l/m
1 BAR	7.7 l/m															
2 BAR	11 l/m															
3 BAR	13.5 l/m															
Changing aerator or adding flow restrictors in the hoses, the following range of TOP flow rates can be achieved	2,0 l/m															
	4,0 l/m															
	6,0 l/m															
	8,0 l/m															
	10,0 l/m															
	12,0 l/m															
13,0 l/m																
Material	Brass According to CUZN35PB2AL-B(CB752S) Max Lead content: 1,6%															
Production	Main body is a single casted piece															



info@ibrubinetterie.it
p.iva 01785230986
capitale sociale € 420.000,00 i.v.
T +39 030 802101
F +39 030 803097
iB Rubinetterie SpA
via dei pianotti, 3/5 - 25068 sarezzo (bs) - Italy

Elenco parti

EL	CODICE	NUMERO DI MAGAZZINO	QT
1	AQ0013277	Zamack square handle 40x40x23.5x115	1
2	AQ0001081	Grubscrew M4x6 p.p.	1
3	AQ0006650	Plug cover Ø7	1
4	AQ0014235	Insert for handshower G1/2" H21	1
5	AQ0010066	Cromolux hose L150	1
6	AQ0013639	Square handshower OnAir	1
7	AQ0014136	Plate 200x75x2	1
8	AQ0014140	Rubber packing double-sided tape 190x65x8x1	1
9	AQ0012068	Chromed cover nut Ø38,2 M37x1,5	1
10	AQ0001040	Cartridge fixing nut M37x1.5 H9	1
11	AQ0004095	Ceramic cartridge Ø35 9x9 (K35A)	1
12	AC0010445	Ring for recessed shower mixer	1
13	CC0002233	Recessed shower mixer body 2 way M37x1.5 horizz	1
14	AQ0001330	OR 6.75x1.78 NBR 70 SH	2
15	AS0010770	Plug M10x1 H12	1
16	AQ0013460	Protecting cap thread Ø24.5	1
17	AQ0014537	Red protecting cap thread Ø19	1
18	AQ0014538	Blu protecting cap thread Ø19	1
19	CP11815CC-1	Diverter	1
20	AQ0014583	Rubber packing G1/2" H4	2
21	AS0012364	Junction Ø18.5 M10x1 H14.5	1
22	AQ0014661	Nut G1/2" F H10	1
23	AC0012365	Support 25x25 H46 G1/2" M10x1	1
24	AQ1014201	Handshower support Ø30 L75	1



Tolleranze generali				Peso	Scala	Formato
±0.1						A2
Materiale						
Disegnatore	Data creazione	Approvato da	Approvato il			
Vivenci M.	04/07/2014					
Denominazione						Codice
Doccia incasso 2 vie con doccetta						KRU313CCXN_1

www.brubettere.it
Via dei Pianetti 3/5
23066 Sanico - BRESCIA
tel. 030802101 fax. 030803097
www.brubettere.it